

DATA SHEET

TDA8708B

Video analog input interface

Product specification
Supersedes data of June 1994
File under Integrated Circuits, IC02

1996 Nov 26

Video analog input interface

TDA8708B

FEATURES

- 8-bit resolution
- Sampling rate up to 32 MHz
- Binary or two's complement 3-state TTL outputs
- TTL-compatible digital inputs and outputs
- Internal reference voltage regulator
- Power dissipation of 365 mW (typical)
- Input selector circuit (one out of three video inputs)
- Clamp and Automatic Gain Control (AGC) functions for CVBS and Y signals
- No sample-and-hold circuit required
- The TDA8708B has no white peak control in mode 2 whereas the TDA8708A has control in modes 1 and 2
- In-range output (not TTL levels).

APPLICATIONS

- Video signal decoding
- Scrambled TV (encoding and decoding)
- Digital picture processing
- Frame grabbing.

GENERAL DESCRIPTION

The TDA8708B is an analog input interface for video signal processing. It includes a video amplifier with clamp and gain control, an 8-bit Analog-to-Digital Converter (ADC) with a sampling rate of 32 MHz and an input selector.

QUICK REFERENCE DATA

SYMBOL	PARAMETER	MIN.	TYP.	MAX.	UNIT
V _{CCA}	analog supply voltage	4.5	5.0	5.5	V
V _{CCD}	digital supply voltage	4.5	5.0	5.5	V
V _{CCO}	TTL output supply voltage	4.2	5.0	5.5	V
I _{CCA}	analog supply current	–	37	45	mA
I _{CCD}	digital supply current	–	24	30	mA
I _{CCO}	TTL output supply current	–	12	16	mA
ILE	DC integral linearity error	–	–	±1	LSB
DLE	DC differential linearity error	–	–	±0.5	LSB
f _{clk(max)}	maximum clock frequency	30	32	–	MHz
B	maximum –3 dB bandwidth (AGC amplifier)	12	18	–	MHz
P _{tot}	total power dissipation	–	365	500	mW

ORDERING INFORMATION

TYPE NUMBER	PACKAGE		
	NAME	DESCRIPTION	VERSION
TDA8708BT	SO28	plastic small outline package; 28 leads; body width 7.5 mm	SOT136-1

Video analog input interface

TDA8708B

BLOCK DIAGRAM

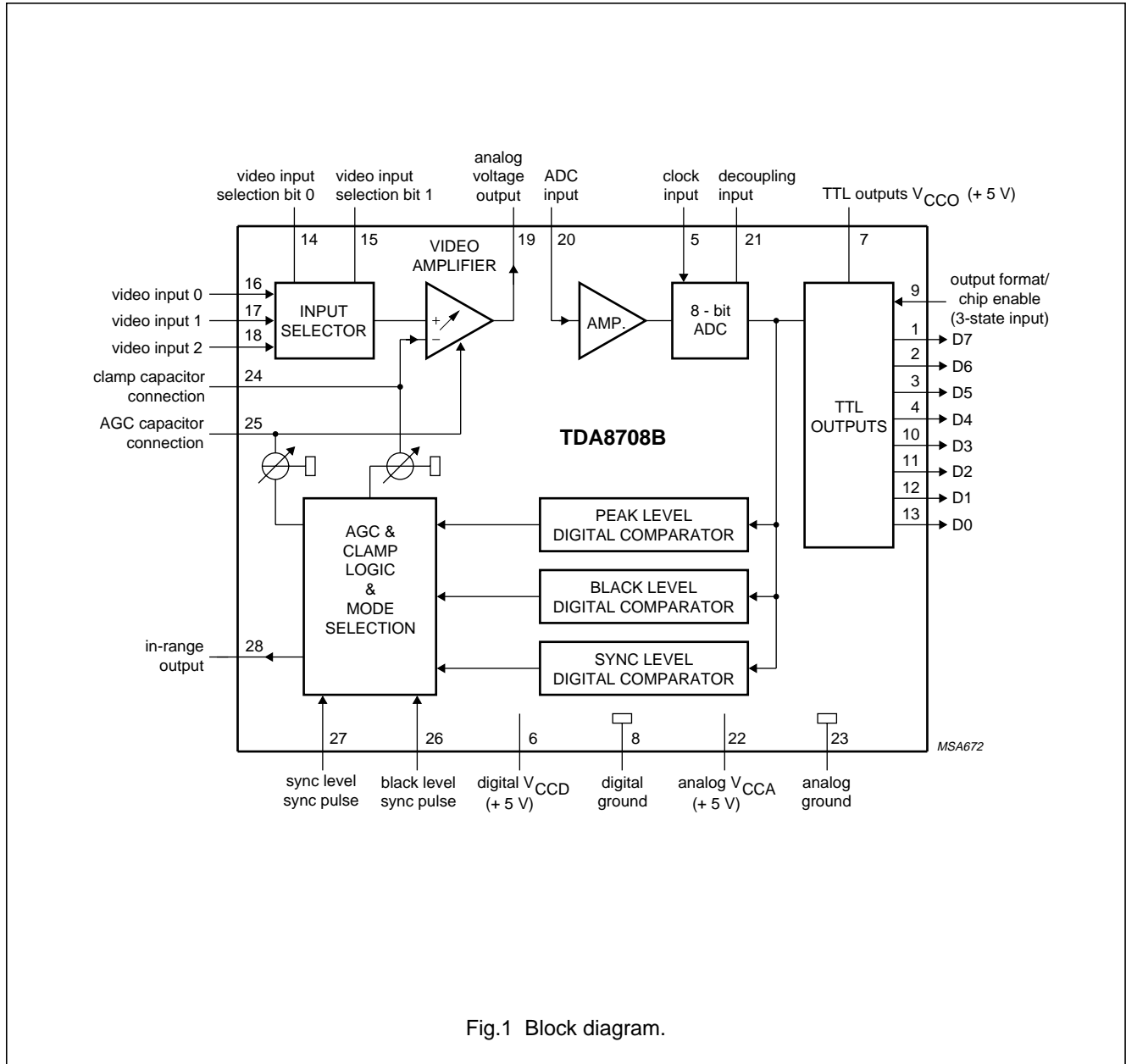


Fig.1 Block diagram.

Video analog input interface

TDA8708B

PINNING

SYMBOL	PIN	DESCRIPTION
D7	1	data output; bit 7 (MSB)
D6	2	data output; bit 6
D5	3	data output; bit 5
D4	4	data output; bit 4
CLK	5	clock input
V _{CCD}	6	digital supply voltage (+5 V)
V _{CCO}	7	TTL outputs supply voltage (+5 V)
DGND	8	digital ground
OF	9	output format/chip enable (3-state input)
D3	10	data output; bit 3
D2	11	data output; bit 2
D1	12	data output; bit 1
D0	13	data output; bit 0 (LSB)
I0	14	video input selection bit 0
I1	15	video input selection bit 1
VIN0	16	video input 0
VIN1	17	video input 1
VIN2	18	video input 2
ANOUT	19	analog voltage output
ADCIN	20	analog-to-digital converter input
DEC	21	decoupling input
V _{CCA}	22	analog supply voltage (+5 V)
AGND	23	analog ground
CLAMP	24	clamp capacitor connection
AGC	25	AGC capacitor connection
GATE B	26	black level synchronization pulse
GATE A	27	sync level synchronization pulse
IR	28	in-range output

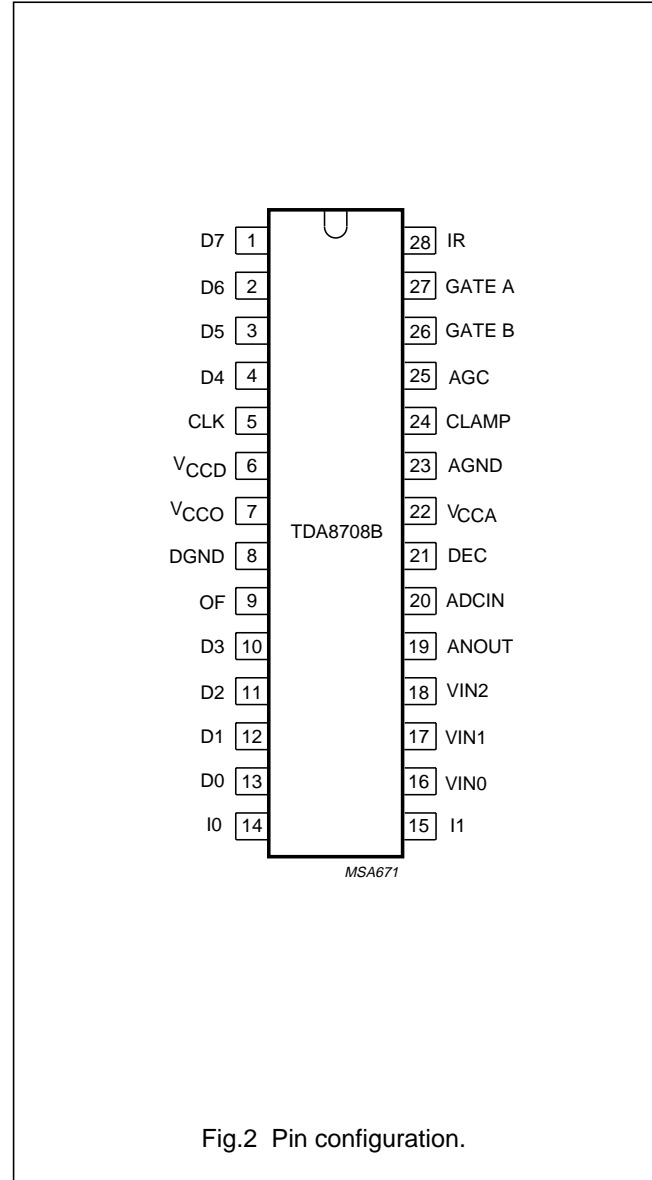


Fig.2 Pin configuration.

Video analog input interface

TDA8708B

FUNCTIONAL DESCRIPTION

The TDA8708B provides a simple interface for decoding video signals.

The TDA8708B operates in configuration mode 1 (see Fig.4) when the video signals are weak (i.e. when the gain of the AGC amplifier has not yet reached its optimum value). This enables a fast recovery of the synchronization pulses in the decoder circuit. When the pulses at the GATE A and GATE B inputs become distinct (GATE A and GATE B pulses are synchronization pulses occurring during the sync period and rear porch respectively) the TDA8708B automatically switches to configuration mode 2 (see Fig.5).

When the TDA8708B is in configuration mode 1, the gain of the AGC amplifier will be roughly adjusted (sync level to a digital output level of 0 and the peak level to a digital output level of 255).

In configuration mode 2 the digital output of the ADC is compared to internal digital reference levels.

The voltage across the capacitor connected to the AGC pin controls the gain of the video amplifier. This is the gain control loop.

The sync level comparator is active during a positive-going pulse at the GATE A input. This means that the sync pulse of the composite video signal is used as an amplitude reference. The bottom of the sync pulse is adjusted to obtain a digital output of logic 0 at the converter output. As the black level is at digital level 64, the sync pulse will have a digital amplitude of 64 LSBs.

The use of nominal signals will prevent the output from exceeding a digital code of 213.

The clamp level control is accomplished by using the same techniques as used for the gain control. The black-level digital comparator is active during a positive-going pulse at the GATE B input. The clamp capacitor will be charged or discharged to adjust the digital output to code 64.

LIMITING VALUES

In accordance with the Absolute Maximum Rating System (IEC 134).

SYMBOL	PARAMETER	MIN.	MAX.	UNIT
V_{CCA}	analog supply voltage	-0.3	+7.0	V
V_{CCD}	digital supply voltage	-0.3	+7.0	V
V_{CCO}	TTL output supply voltage	-0.3	+7.0	V
ΔV_{CC}	supply voltage differences:			
	$V_{CCA} - V_{CCD}$	-1.0	+1.0	V
	$V_{CCO} - V_{CCD}$	-1.0	+1.0	V
	$V_{CCA} - V_{CCO}$	-1.0	+1.0	V
V_I	input voltage	-0.3	V_{CCA}	V
I_O	output current	0	+10	mA
T_{stg}	storage temperature	-55	+150	°C
T_{amb}	operating ambient temperature	0	+70	°C
T_j	junction temperature	0	+125	°C

THERMAL CHARACTERISTICS

SYMBOL	PARAMETER	VALUE	UNIT
$R_{th\ j-a}$	thermal resistance from junction to ambient in free air	70	K/W

Video analog input interface

TDA8708B

CHARACTERISTICS

$V_{CCA} = V_{22}$ to $V_{23} = 4.5$ to 5.5 V; $V_{CCD} = V_6$ to $V_8 = 4.5$ to 5.5 V; $V_{CCO} = V_7$ to $V_8 = 4.2$ to 5.5 V; AGND and DGND shorted together; V_{CCA} to $V_{CCD} = -0.5$ to $+0.5$ V; V_{CCO} to $V_{CCD} = -0.5$ to $+0.5$ V; V_{CCA} to $V_{CCO} = -0.5$ to $+0.5$ V; $T_{amb} = 0$ to $+70$ °C; typical readings taken at $V_{CCA} = V_{CCD} = V_{CCO} = 5$ V and $T_{amb} = 25$ °C; unless otherwise specified.

SYMBOL	PARAMETER	CONDITIONS	MIN.	TYP.	MAX.	UNIT
Supplies						
V_{CCA}	analog supply voltage		4.5	5.0	5.5	V
V_{CCD}	digital supply voltage		4.5	5.0	5.5	V
V_{CCO}	TTL output supply voltage		4.2	5.0	5.5	V
I_{CCA}	analog supply current		–	37	45	mA
I_{CCD}	digital supply current		–	24	30	mA
I_{CCO}	TTL output supply current	TTL load (see Fig.8)	–	12	16	mA
Video amplifier inputs						
VIN0 TO VIN2 INPUTS						
$V_{I(p-p)}$	input voltage (peak-to-peak value)	AGC load with external capacitor; note 1	0.6	–	1.5	V
$ Z_i $	input impedance	$f_i = 6$ MHz	10	20	–	k Ω
C_i	input capacitance	$f_i = 6$ MHz	–	1	–	pF
I0 AND I1 TTL INPUTS (see Table 1)						
V_{IL}	LOW level input voltage		0	–	0.8	V
V_{IH}	HIGH level input voltage		2.0	–	V_{CCD}	V
I_{IL}	LOW level input current	$V_I = 0.4$ V	–400	–	–	μ A
I_{IH}	HIGH level input current	$V_I = 2.7$ V	–	–	20	μ A
GATE A AND GATE B TTL INPUTS (see Figs 4 and 5)						
V_{IL}	LOW level input voltage		0	–	0.8	V
V_{IH}	HIGH level input voltage		2.0	–	V_{CCD}	V
I_{IL}	LOW level input current	$V_I = 0.4$ V	–400	–	–	μ A
I_{IH}	HIGH level input current	$V_I = 2.7$ V	–	–	20	μ A
t_w	pulse width	see Fig.5	2	–	–	μ s
AGC INPUT (PIN 25)						
$V_{25(min)}$	AGC voltage for minimum gain		–	2.8	–	V
$V_{25(max)}$	AGC voltage for maximum gain		–	4.0	–	V
	AGC output current		see Table 2			
CLAMP INPUT (PIN 24)						
V_{24}	clamp voltage for code 128 output		–	3.5	–	V
I_{24}	clamp output current		see Table 3			

Video analog input interface

TDA8708B

SYMBOL	PARAMETER	CONDITIONS	MIN.	TYP.	MAX.	UNIT
Video amplifier outputs						
ANOUT OUTPUT (PIN 19)						
$V_{19(p-p)}$	AC output voltage (peak-to-peak value)	$V_{VIN} = 1.33 \text{ V (p-p)}$; $V_{25} = 3.6 \text{ V}$	–	1.33	–	V
I_{19}	internal current source	$R_L = \infty$	2.0	2.5	–	mA
$I_{O(p-p)}$	output current driven by the load	$V_{ANOUT} = 1.33 \text{ V (p-p)}$; note 2	–	–	1.0	mA
V_{19}	DC output voltage for black level	note 3	–	$V_{CCA} - 2.24$	–	V
Z_{19}	output impedance		–	20	–	Ω
Video amplifier dynamic characteristics						
α_{ct}	crossstalk between VIN inputs	$V_{CCA} = 4.75 \text{ to } 5.25 \text{ V}$	–	–50	–45	dB
G_{diff}	differential gain	$V_{VIN} = 1.33 \text{ V (p-p)}$; $V_{25} = 3.6 \text{ V}$	–	2	–	%
φ_{diff}	differential phase	$V_{VIN} = 1.33 \text{ V (p-p)}$; $V_{25} = 3.6 \text{ V}$	–	0.8	–	deg
B	–3 dB bandwidth		12	–	–	MHz
S/N	signal-to-noise ratio	note 4	60	–	–	dB
SVRR1	supply voltage ripple rejection	note 5	–	45	–	dB
ΔG	gain range	see Fig.10	–4.5	–	+6.0	dB
G_{stab}	gain stability as a function of supply voltage and temperature	see Fig.10	–	–	5	%
Analog-to-digital converter inputs						
CLK INPUT (PIN 5)						
V_{IL}	LOW level input voltage		0	–	0.8	V
V_{IH}	HIGH level input voltage		2.0	–	V_{CCD}	V
I_{IL}	LOW level input current	$V_{clk} = 0.4 \text{ V}$	–400	–	–	μA
I_{IH}	HIGH level input current	$V_{clk} = 2.7 \text{ V}$	–	–	100	μA
$ Z_i $	input impedance	$f_{clk} = 10 \text{ MHz}$	–	4	–	$\text{k}\Omega$
C_i	input capacitance	$f_{clk} = 10 \text{ MHz}$	–	4.5	–	pF
OF INPUT (3-STATE; see Table 4)						
V_{IL}	LOW level input voltage		0	–	0.2	V
V_{IH}	HIGH level input voltage		2.6	–	V_{CCD}	V
V_9	input voltage in high impedance state		–	1.15	–	V
I_{IL}	LOW level input current		–370	–300	–	μA
I_{IH}	HIGH level input current		–	300	450	μA

Video analog input interface

TDA8708B

SYMBOL	PARAMETER	CONDITIONS	MIN.	TYP.	MAX.	UNIT
ADCIN INPUT (PIN 20; see Table 5)						
V ₂₀	input voltage	digital output = 00	–	V _{CCA} – 2.42	–	V
V ₂₀	input voltage	digital output = 255	–	V _{CCA} – 1.41	–	V
V _{20(p-p)}	input voltage amplitude (peak-to-peak value)		–	1.0	–	V
I ₂₀	input current		–	1.0	10	μA
Z _i	input impedance	f _i = 6 MHz	–	50	–	MΩ
C _i	input capacitance	f _i = 6 MHz	–	1	–	pF
Analog-to-digital converter outputs						
IR OUTPUT (PIN 28)						
V _{OL}	LOW level output voltage		–	–	1.7	V
V _{OH}	HIGH level output voltage		1.9	–	–	V
I _O	output current		–500	–	–	μA
DIGITAL OUTPUTS D0 TO D7						
V _{OL}	LOW level output voltage	I _{OL} = 2 mA	0	–	0.6	V
V _{OH}	HIGH level output voltage	I _{OL} = –0.4 mA	2.4	–	V _{CCD}	V
I _{OZ}	output current in 3-state mode	0.4 V < V _O < V _{CCD}	–20	–	+20	μA
Switching characteristics						
f _{clk(max)}	maximum clock input frequency	see Fig.6; note 6	30	32	–	MHz
Analog signal processing (f_{clk} = 32 MHz); see Fig.8						
G _{diff}	differential gain	V ₂₀ = 1.0 V (p-p); see Fig.7; note 7	–	2	–	%
φ _{diff}	differential phase	see Fig.7; note 7	–	2	–	deg
f ₁	fundamental harmonics (full-scale)	f _i = 4.43 MHz; note 7	–	–	0	dB
f _{all}	harmonics (full-scale); all components	f _i = 4.43 MHz; note 7	–	–55	–	dB
SVRR2	supply voltage ripple rejection	note 8	–	1	5	%/V
Transfer function (see Fig.8)						
ILE	DC integral linearity error		–	–	±1	LSB
DLE	DC differential linearity error		–	–	±0.5	LSB
ILE	AC integral linearity error	note 9	–	–	±2	LSB
Timing (f_{clk} = 32 MHz) see Figs 6, 7 and 8						
DIGITAL OUTPUTS (C_L = 15 pF; I_{OL} = 2 mA; R_L = 2 kΩ)						
t _{ds}	sampling delay time		–	2	–	ns
t _h	output hold time		6	8	–	ns
t _d	output delay time		–	16	20	ns
t _{dEZ}	3-state delay time; output enable		–	19	25	ns
t _{dDZ}	3-state delay time; output disable		–	14	20	ns

Video analog input interface

TDA8708B

Notes

1. 0 dB is obtained at the AGC amplifier when applying $V_{i(p-p)} = 1.33$ V.
2. The output current at pin 19 should not exceed 1 mA. The load impedance R_L should be referenced to V_{CCA} and defined as:
 - a) AC impedance ≥ 1 k Ω and the DC impedance > 2.7 k Ω .
 - b) The load impedance should be coupled directly to the output of the amplifier so that the DC voltage supplied by the clamp is not disturbed.
3. Control mode 2 is selected.

4. Signal-to-noise ratio measured with 5 MHz bandwidth: $\frac{S}{N} = 20 \log \frac{V_{ANOUTC(p-p)}}{V_{ANOUTY(RMS\ noise)}}$ at $B = 5$ MHz .

5. The voltage ratio is expressed as:

$$SVRR1 = 20 \log \frac{\Delta V_{CCA}}{V_{CCA}} \times \frac{G}{\Delta G} \text{ for } V_I = 1 \text{ V (p-p), gain at 100 kHz} = 1 \text{ and 1 V supply variation.}$$

6. It is recommended that the rise and fall times of the clock are ≥ 2 ns. In addition, a 'good layout' for the digital and analog grounds is recommended.
7. These measurements are realized on analog signals after a digital-to-analog conversion (TDA8702 is used).
8. The supply voltage rejection is the relative variation of the analog signal (full-scale signal at input) for 1 V of supply variation:

$$SVRR2 = \frac{\Delta (V_{I(00)} - V_{I(FF)}) + (V_{I(00)} - V_{I(FF)})}{\Delta V_{CCA}}$$

9. Full-scale sine wave ($f_i = 4.4$ MHz; $f_{clk} = 27$ MHz).

Video analog input interface

TDA8708B

Table 1 Video input selection (CVBS)

I1	I0	SELECTED INPUT
0	0	VIN0
0	1	VIN1
1	0	VIN2
1	1	VIN2

Table 2 AGC output current

GATE A	GATE B	DIGITAL OUTPUT	I _{AGC}	MODE ⁽¹⁾
1	1	output < 255	-2.5 μA	1
		output > 255	130 μA	1
0	X ⁽²⁾	-	0 μA	2
1	0	output < 0	+2.5 μA	2
		output > 0	-2.5 μA	2

Notes

1. Mode 2 can only be initialized with successive pulses on GATE A and GATE B (see Fig.5).
2. X = don't care.

Table 3 CLAMP output current

GATE A	GATE B	DIGITAL OUTPUT	I _{CLAMP}	MODE
1	1	output < 0	130 μA	1
		output > 0	-2.5 μA	1
X ⁽¹⁾	0	X	0 μA	2
0	1	output < 64	+50 μA	2
		64 < output	-50 μA	2

Note

1. X = don't care.

Table 4 OF input coding

OF	D0 TO D7
0	active, two's complement
1	high impedance
open circuit ⁽¹⁾	active, binary

Note

1. Use C ≥ 10 pF to DGND.

Table 5 Output coding and input voltage (typical values)

STEP	V _{ADCIN}	BINARY OUTPUTS								TWO'S COMPLEMENT							
		D7	D6	D5	D4	D3	D2	D1	D0	D7	D6	D5	D4	D3	D2	D1	D0
Underflow	-	0	0	0	0	0	0	0	0	1	0	0	0	0	0	0	0
0	V _{CCA} - 2.41 V	0	0	0	0	0	0	0	0	1	0	0	0	0	0	0	0
1	-	0	0	0	0	0	0	0	1	1	0	0	0	0	0	0	1
.	-
.	-
254	-	1	1	1	1	1	1	1	0	0	1	1	1	1	1	1	0
255	V _{CCA} - 1.41 V	1	1	1	1	1	1	1	1	0	1	1	1	1	1	1	1
Overflow	-	1	1	1	1	1	1	1	1	0	1	1	1	1	1	1	1

Video analog input interface

TDA8708B

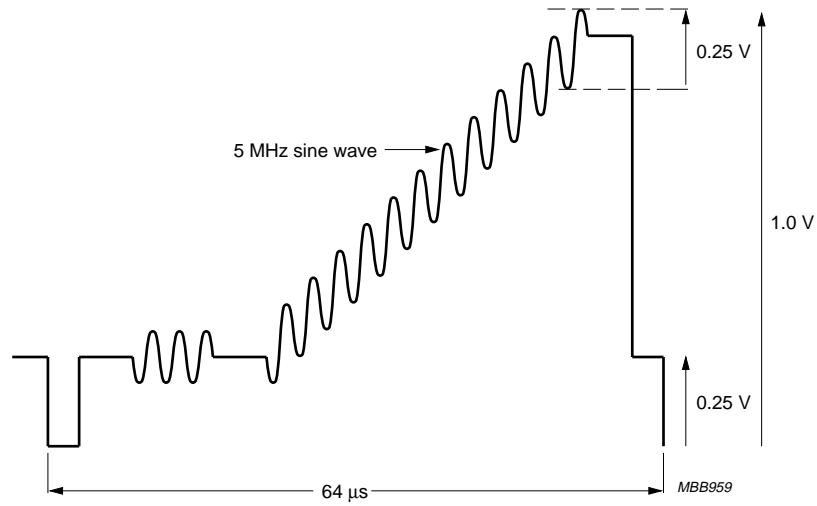


Fig.3 Test signal on the ADCIN pin for differential gain and phase measurements.

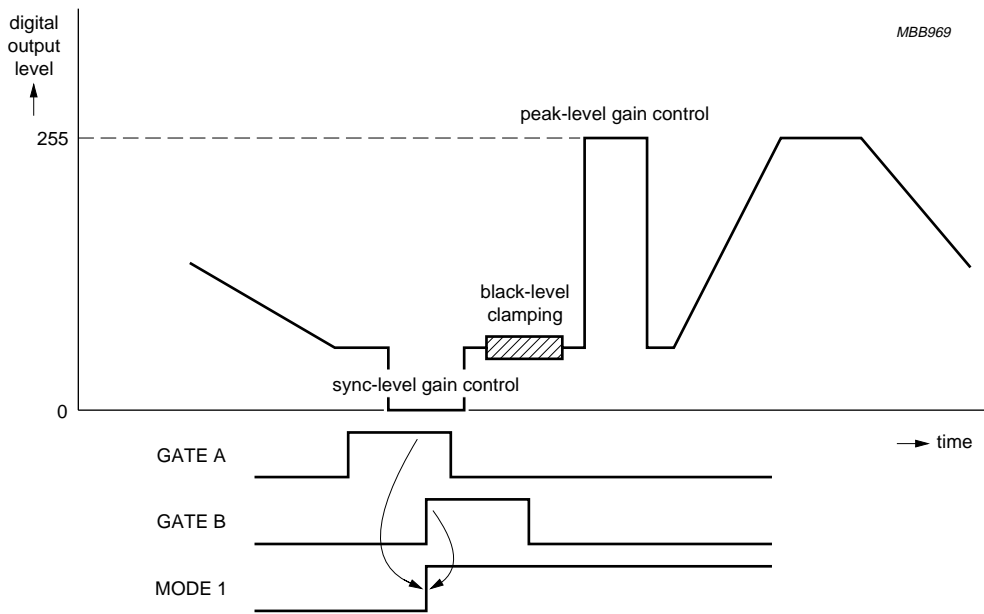
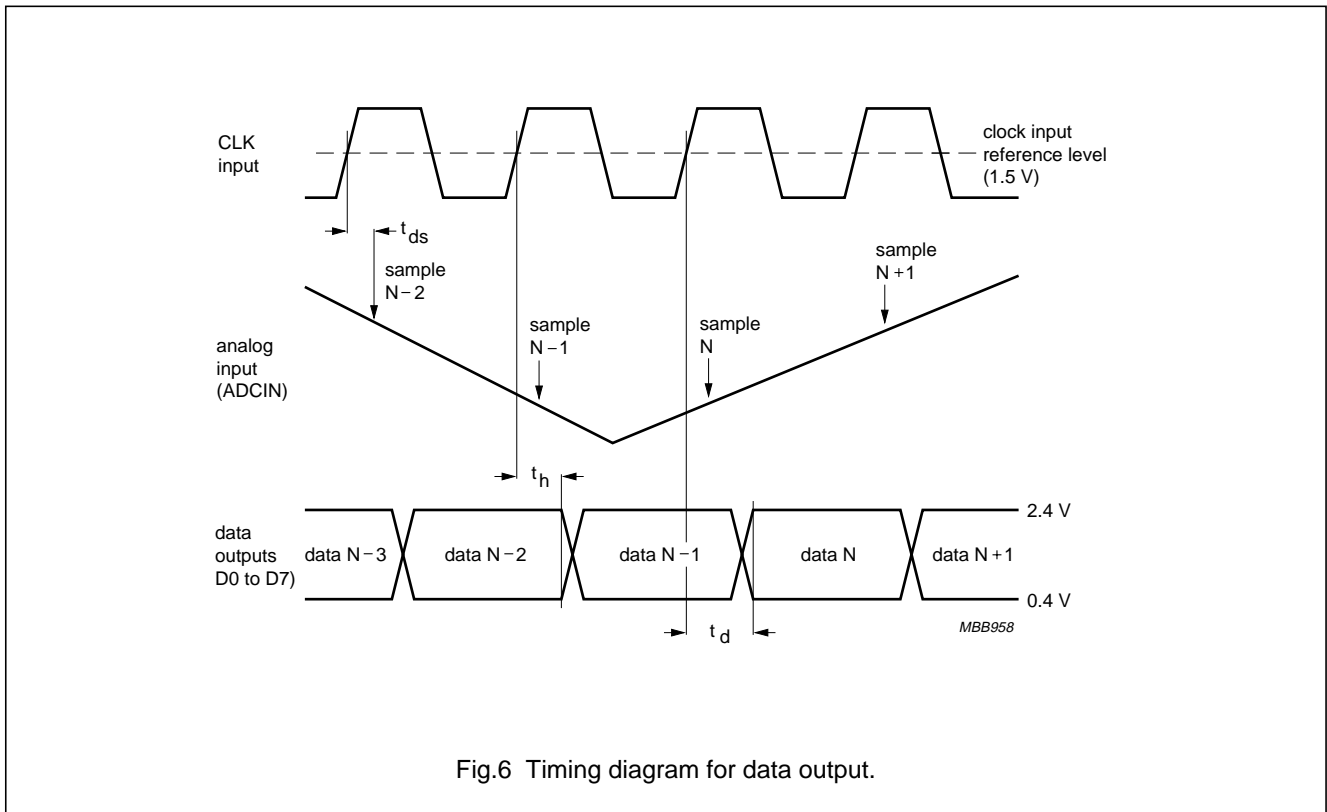
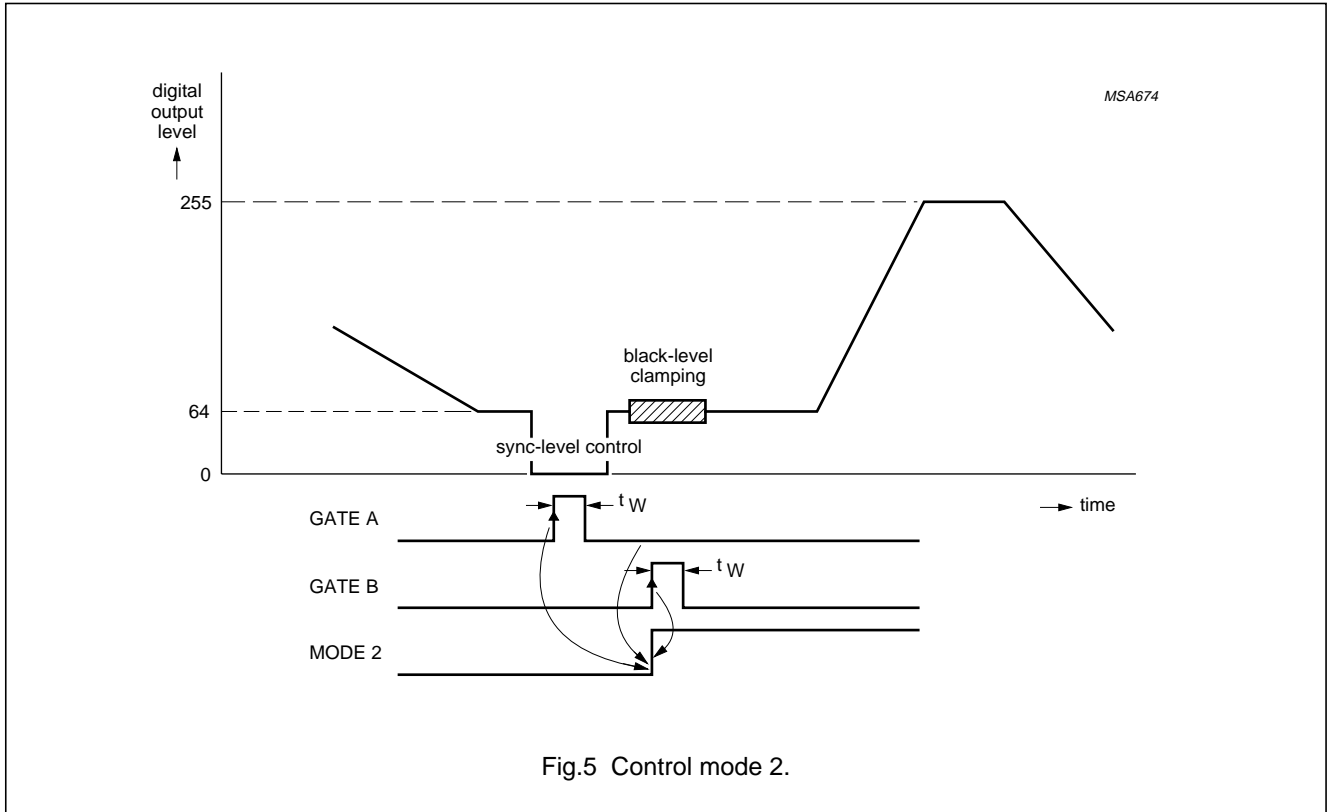


Fig.4 Control mode 1.

Video analog input interface

TDA8708B



Video analog input interface

TDA8708B

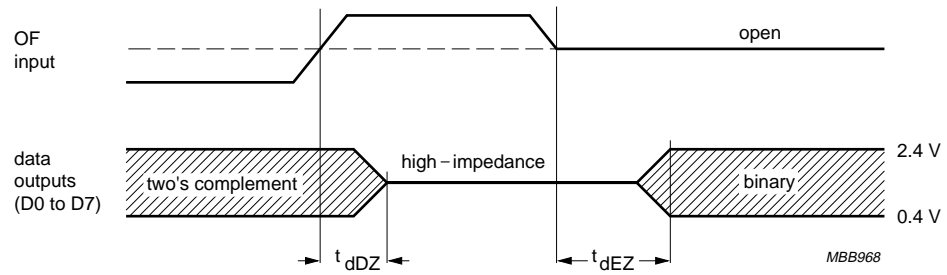


Fig.7 Output format timing diagram.

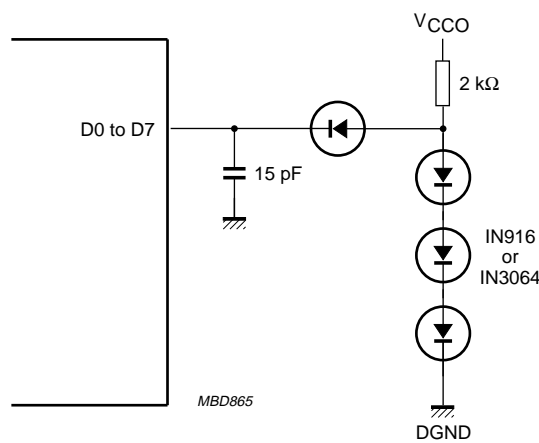


Fig.8 Load circuit for timing measurement; data outputs (OF = LOW or open-circuit).

Video analog input interface

TDA8708B

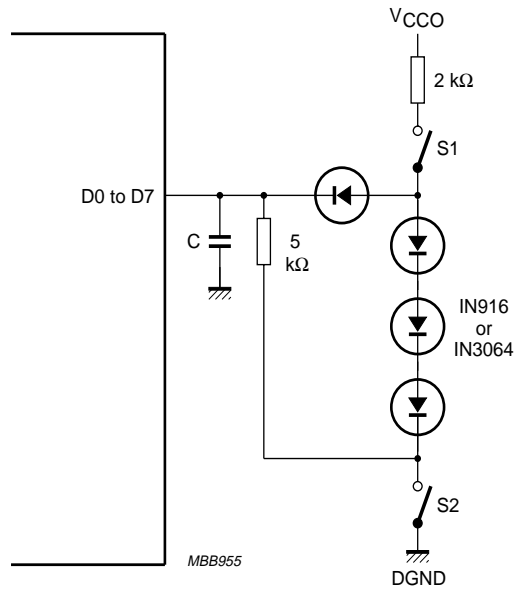
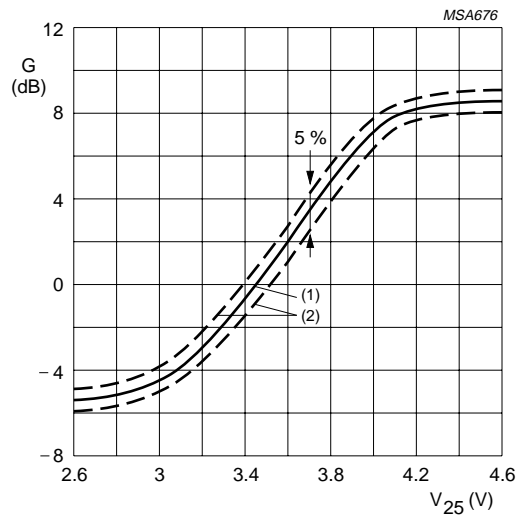


Fig.9 Load circuit for timing measurement; 3-state outputs (OF: $f_i = 1$ MHz; $V_{OF} = 3$ V).



- (1) Typical value ($V_{CCA} = V_{CCD} = 5$ V; $T_{amb} = 25$ °C).
- (2) Minimum and maximum values (temperature and supply).

Fig.10 Gain control curve.

Video analog input interface

TDA8708B

INTERNAL PIN CIRCUITRY

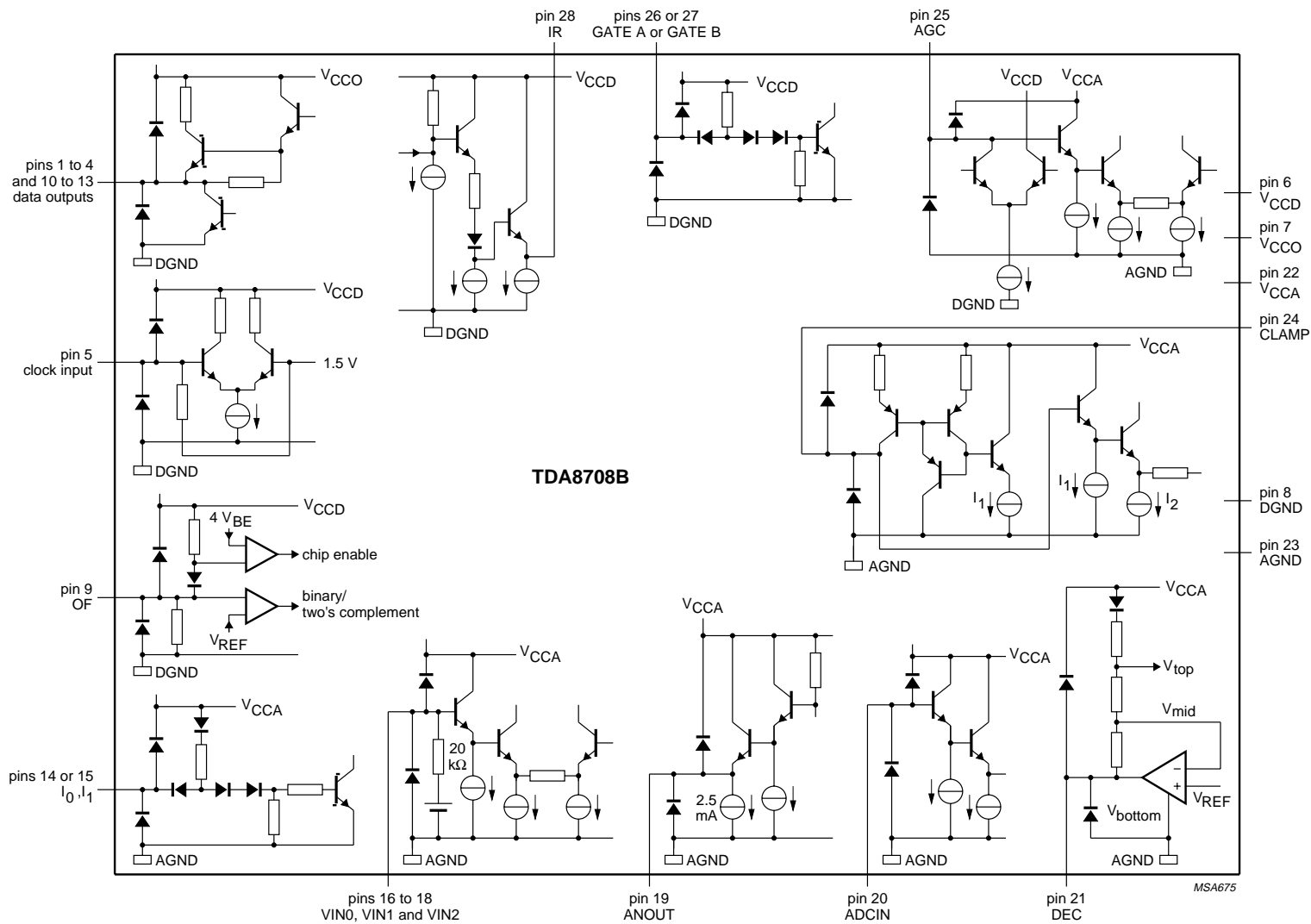


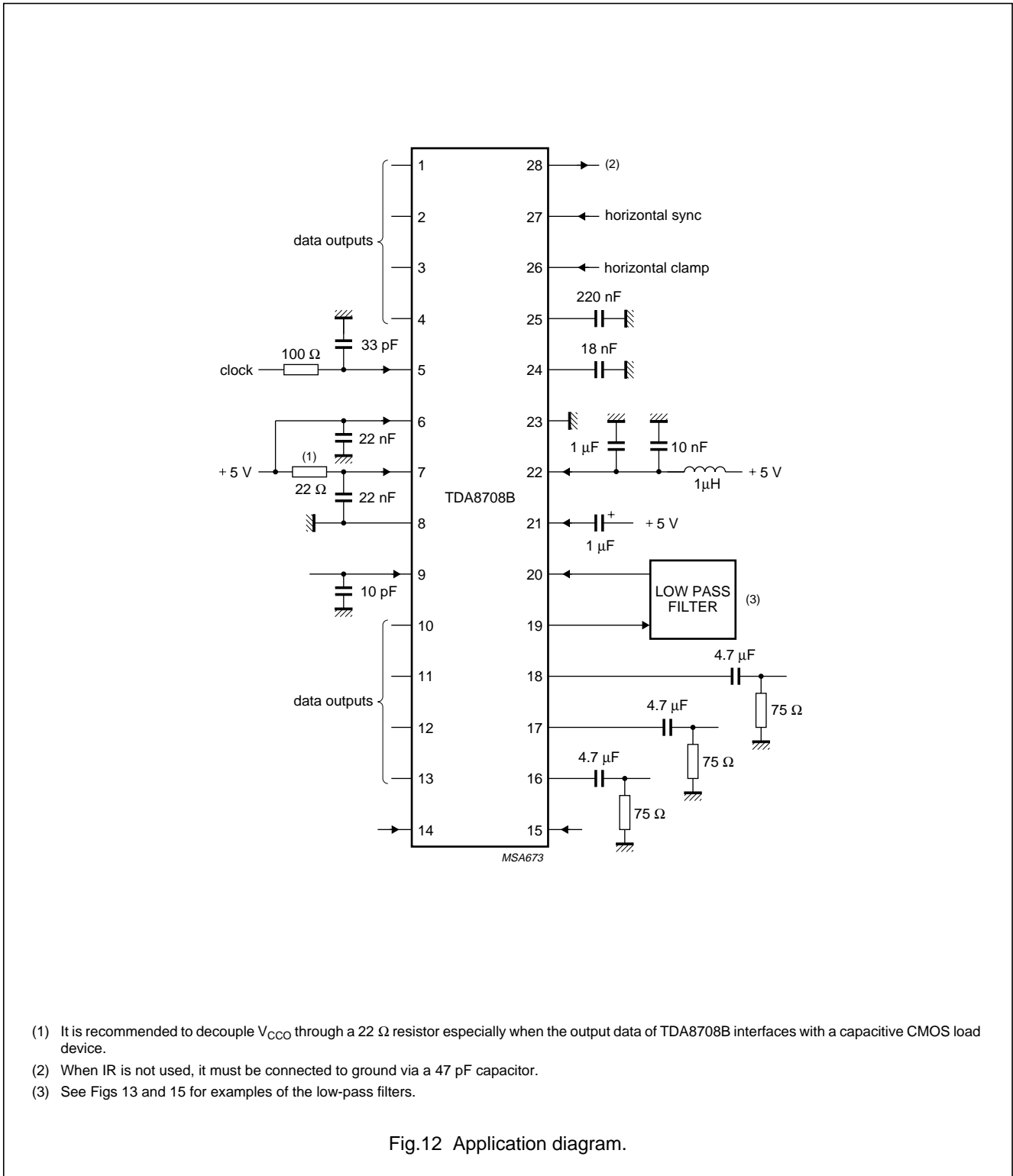
Fig.11 Internal pin configuration.

Video analog input interface

TDA8708B

APPLICATION INFORMATION

Additional information can be found in the laboratory report of TDA8708A "FBL/AN9308".

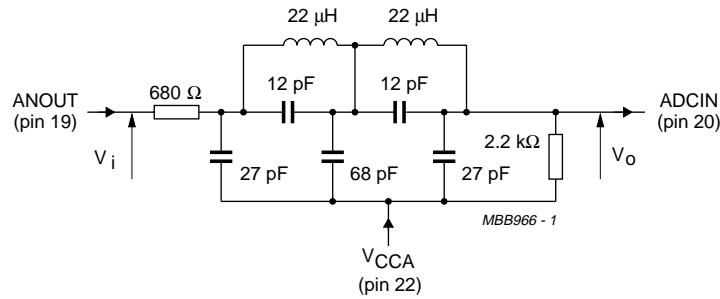


- (1) It is recommended to decouple V_{CC0} through a 22 Ω resistor especially when the output data of TDA8708B interfaces with a capacitive CMOS load device.
- (2) When IR is not used, it must be connected to ground via a 47 pF capacitor.
- (3) See Figs 13 and 15 for examples of the low-pass filters.

Fig.12 Application diagram.

Video analog input interface

TDA8708B



This filter can be adapted to various applications with respect to performance requirements. An input and output impedance of at least 680 Ω and 2.2 kΩ must in any event be applied.

Fig.13 Example of a low-pass filter for CVBS and Y signals.

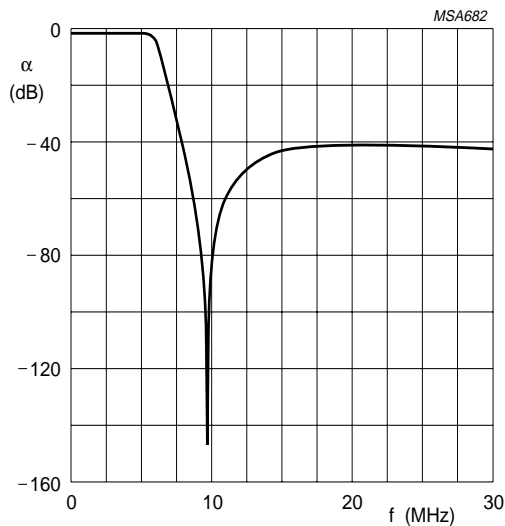


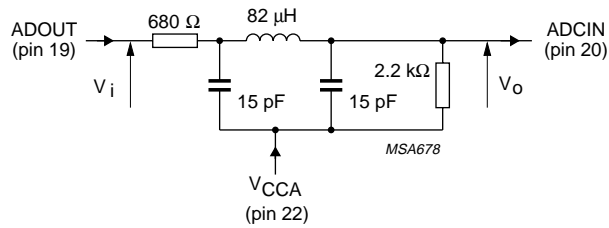
Fig.14 Frequency response for filter shown in Fig.13.

Characteristics of Fig.14:

- Order 5; adapted CHEBYSHEV
- Ripple $\rho \leq 0.4$ dB
- $f = 6.5$ MHz at -3 dB
- $f_{\text{notch}} = 9.75$ MHz.

Video analog input interface

TDA8708B



This filter can be adapted to various applications with respect to performance requirements. An input and output impedance of at least 680 Ω and 2.2 kΩ must in any event be applied.

Fig.15 Example of an economical low-pass filter for CVBS and Y signals.

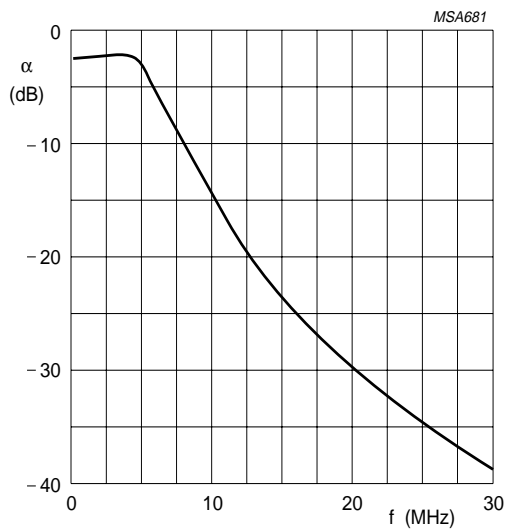


Fig.16 Frequency response for filter shown in Fig.15.

Characteristics of Fig.16:

- Order 5; adapted CHEBYSHEV
- Ripple $\rho \leq 0.4$ dB
- $f = 6.5$ MHz at -3 dB.

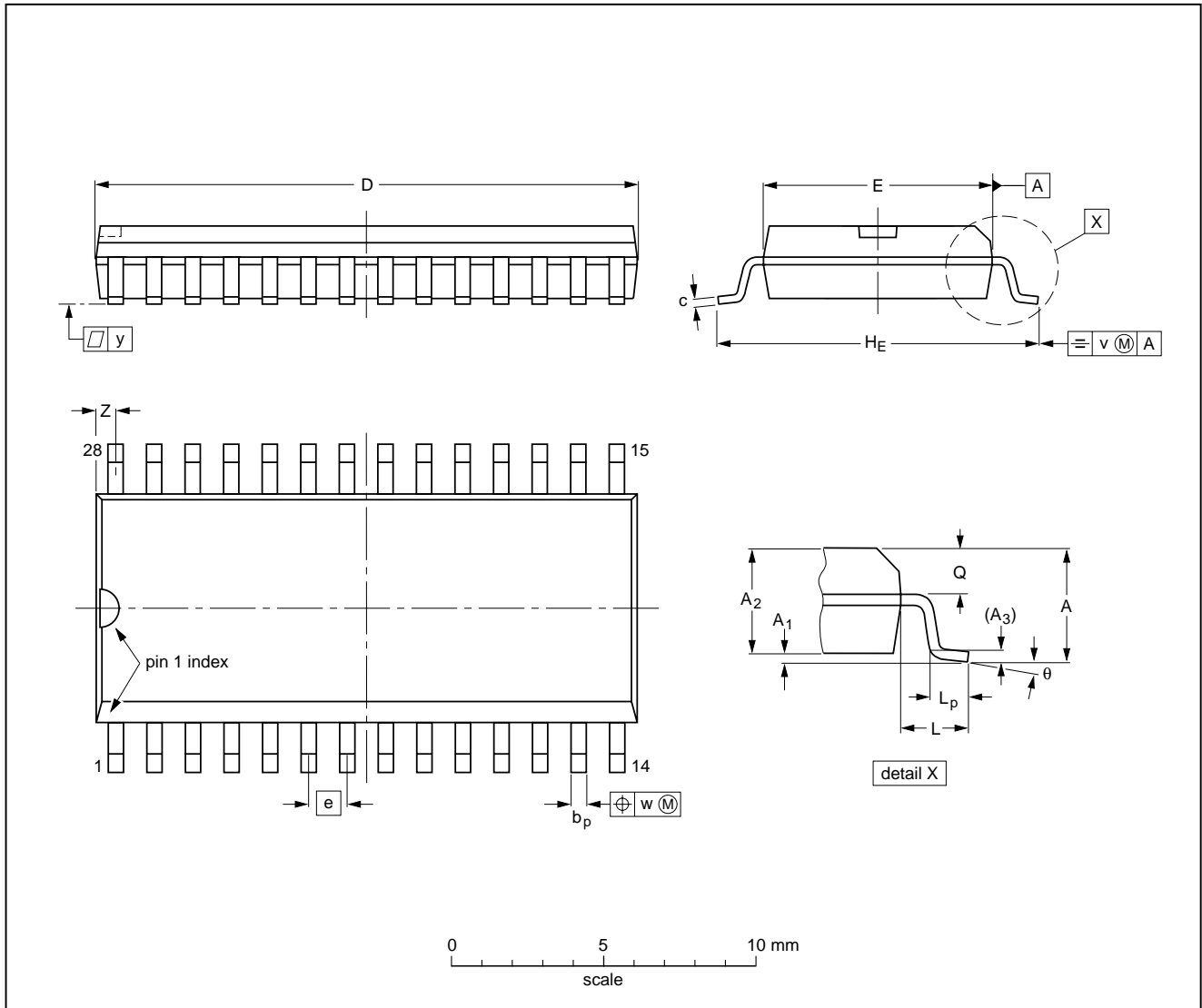
Video analog input interface

TDA8708B

PACKAGE OUTLINE

SO28: plastic small outline package; 28 leads; body width 7.5 mm

SOT136-1



DIMENSIONS (inch dimensions are derived from the original mm dimensions)

UNIT	A max.	A ₁	A ₂	A ₃	b _p	c	D ⁽¹⁾	E ⁽¹⁾	e	H _E	L	L _p	Q	v	w	y	Z ⁽¹⁾	θ
mm	2.65	0.30 0.10	2.45 2.25	0.25	0.49 0.36	0.32 0.23	18.1 17.7	7.6 7.4	1.27	10.65 10.00	1.4	1.1 0.4	1.1 1.0	0.25	0.25	0.1	0.9 0.4	8° 0°
inches	0.10	0.012 0.004	0.096 0.089	0.01	0.019 0.014	0.013 0.009	0.71 0.69	0.30 0.29	0.050	0.419 0.394	0.055	0.043 0.016	0.043 0.039	0.01	0.01	0.004	0.035 0.016	

Note

1. Plastic or metal protrusions of 0.15 mm maximum per side are not included.

OUTLINE VERSION	REFERENCES				EUROPEAN PROJECTION	ISSUE DATE
	IEC	JEDEC	EIAJ			
SOT136-1	075E06	MS-013AE				95-01-24 97-05-22

Video analog input interface

TDA8708B

SOLDERING

Introduction

There is no soldering method that is ideal for all IC packages. Wave soldering is often preferred when through-hole and surface mounted components are mixed on one printed-circuit board. However, wave soldering is not always suitable for surface mounted ICs, or for printed-circuits with high population densities. In these situations reflow soldering is often used.

This text gives a very brief insight to a complex technology. A more in-depth account of soldering ICs can be found in our "*IC Package Databook*" (order code 9398 652 90011).

Reflow soldering

Reflow soldering techniques are suitable for all SO packages.

Reflow soldering requires solder paste (a suspension of fine solder particles, flux and binding agent) to be applied to the printed-circuit board by screen printing, stencilling or pressure-syringe dispensing before package placement.

Several techniques exist for reflowing; for example, thermal conduction by heated belt. Dwell times vary between 50 and 300 seconds depending on heating method. Typical reflow temperatures range from 215 to 250 °C.

Preheating is necessary to dry the paste and evaporate the binding agent. Preheating duration: 45 minutes at 45 °C.

Wave soldering

Wave soldering techniques can be used for all SO packages if the following conditions are observed:

- A double-wave (a turbulent wave with high upward pressure followed by a smooth laminar wave) soldering technique should be used.
- The longitudinal axis of the package footprint must be parallel to the solder flow.
- The package footprint must incorporate solder thieves at the downstream end.

During placement and before soldering, the package must be fixed with a droplet of adhesive. The adhesive can be applied by screen printing, pin transfer or syringe dispensing. The package can be soldered after the adhesive is cured.

Maximum permissible solder temperature is 260 °C, and maximum duration of package immersion in solder is 10 seconds, if cooled to less than 150 °C within 6 seconds. Typical dwell time is 4 seconds at 250 °C.

A mildly-activated flux will eliminate the need for removal of corrosive residues in most applications.

Repairing soldered joints

Fix the component by first soldering two diagonally-opposite end leads. Use only a low voltage soldering iron (less than 24 V) applied to the flat part of the lead. Contact time must be limited to 10 seconds at up to 300 °C. When using a dedicated tool, all other leads can be soldered in one operation within 2 to 5 seconds between 270 and 320 °C.

Video analog input interface

TDA8708B

DEFINITIONS

Data sheet status	
Objective specification	This data sheet contains target or goal specifications for product development.
Preliminary specification	This data sheet contains preliminary data; supplementary data may be published later.
Product specification	This data sheet contains final product specifications.
Limiting values	
Limiting values given are in accordance with the Absolute Maximum Rating System (IEC 134). Stress above one or more of the limiting values may cause permanent damage to the device. These are stress ratings only and operation of the device at these or at any other conditions above those given in the Characteristics sections of the specification is not implied. Exposure to limiting values for extended periods may affect device reliability.	
Application information	
Where application information is given, it is advisory and does not form part of the specification.	

LIFE SUPPORT APPLICATIONS

These products are not designed for use in life support appliances, devices, or systems where malfunction of these products can reasonably be expected to result in personal injury. Philips customers using or selling these products for use in such applications do so at their own risk and agree to fully indemnify Philips for any damages resulting from such improper use or sale.

Video analog input interface

TDA8708B

NOTES

Video analog input interface

TDA8708B

NOTES

Philips Semiconductors – a worldwide company

Argentina: see South America

Australia: 34 Waterloo Road, NORTH RYDE, NSW 2113,
Tel. +61 2 9805 4455, Fax. +61 2 9805 4466

Austria: Computerstr. 6, A-1101 WIEN, P.O. Box 213,
Tel. +43 1 60 101, Fax. +43 1 60 101 1210

Belarus: Hotel Minsk Business Center, Bld. 3, r. 1211, Volodarski Str. 6,
220050 MINSK, Tel. +375 172 200 733, Fax. +375 172 200 773

Belgium: see The Netherlands

Brazil: see South America

Bulgaria: Philips Bulgaria Ltd., Energoproject, 15th floor,
51 James Bourchier Blvd., 1407 SOFIA,
Tel. +359 2 689 211, Fax. +359 2 689 102

Canada: PHILIPS SEMICONDUCTORS/COMPONENTS,
Tel. +1 800 234 7381

China/Hong Kong: 501 Hong Kong Industrial Technology Centre,
72 Tat Chee Avenue, Kowloon Tong, HONG KONG,
Tel. +852 2319 7888, Fax. +852 2319 7700

Colombia: see South America

Czech Republic: see Austria

Denmark: Prags Boulevard 80, PB 1919, DK-2300 COPENHAGEN S,
Tel. +45 32 88 2636, Fax. +45 31 57 1949

Finland: Sinikalliontie 3, FIN-02630 ESPOO,
Tel. +358 9 615800, Fax. +358 9 61580/xxx

France: 4 Rue du Port-aux-Vins, BP317, 92156 SURESNES Cedex,
Tel. +33 1 40 99 6161, Fax. +33 1 40 99 6427

Germany: Hammerbrookstraße 69, D-20097 HAMBURG,
Tel. +49 40 23 53 60, Fax. +49 40 23 536 300

Greece: No. 15, 25th March Street, GR 17778 TAVROS/ATHENS,
Tel. +30 1 4894 339/239, Fax. +30 1 4814 240

Hungary: see Austria

India: Philips INDIA Ltd, Shivsagar Estate, A Block, Dr. Annie Besant Rd.
Worli, MUMBAI 400 018, Tel. +91 22 4938 541, Fax. +91 22 4938 722

Indonesia: see Singapore

Ireland: Newstead, Clonskeagh, DUBLIN 14,
Tel. +353 1 7640 000, Fax. +353 1 7640 200

Israel: RAPAC Electronics, 7 Kehilat Saloniki St, TEL AVIV 61180,
Tel. +972 3 645 0444, Fax. +972 3 649 1007

Italy: PHILIPS SEMICONDUCTORS, Piazza IV Novembre 3,
20124 MILANO, Tel. +39 2 6752 2531, Fax. +39 2 6752 2557

Japan: Philips Bldg 13-37, Kohnan 2-chome, Minato-ku, TOKYO 108,
Tel. +81 3 3740 5130, Fax. +81 3 3740 5077

Korea: Philips House, 260-199 Itaewon-dong, Yongsan-ku, SEOUL,
Tel. +82 2 709 1412, Fax. +82 2 709 1415

Malaysia: No. 76 Jalan Universiti, 46200 PETALING JAYA, SELANGOR,
Tel. +60 3 750 5214, Fax. +60 3 757 4880

Mexico: 5900 Gateway East, Suite 200, EL PASO, TEXAS 79905,
Tel. +9-5 800 234 7381

Middle East: see Italy

Netherlands: Postbus 90050, 5600 PB EINDHOVEN, Bldg. VB,
Tel. +31 40 27 82785, Fax. +31 40 27 88399

New Zealand: 2 Wagener Place, C.P.O. Box 1041, AUCKLAND,
Tel. +64 9 849 4160, Fax. +64 9 849 7811

Norway: Box 1, Manglerud 0612, OSLO,
Tel. +47 22 74 8000, Fax. +47 22 74 8341

Philippines: Philips Semiconductors Philippines Inc.,
106 Valero St. Salcedo Village, P.O. Box 2108 MCC, MAKATI,
Metro MANILA, Tel. +63 2 816 6380, Fax. +63 2 817 3474

Poland: Ul. Lukiska 10, PL 04-123 WARSZAWA,
Tel. +48 22 612 2831, Fax. +48 22 612 2327

Portugal: see Spain

Romania: see Italy

Russia: Philips Russia, Ul. Usatcheva 35A, 119048 MOSCOW,
Tel. +7 095 247 9145, Fax. +7 095 247 9144

Singapore: Lorong 1, Toa Payoh, SINGAPORE 1231,
Tel. +65 350 2538, Fax. +65 251 6500

Slovakia: see Austria

Slovenia: see Italy

South Africa: S.A. PHILIPS Pty Ltd., 195-215 Main Road Martindale,
2092 JOHANNESBURG, P.O. Box 7430 Johannesburg 2000,
Tel. +27 11 470 5911, Fax. +27 11 470 5494

South America: Rua do Rocio 220, 5th floor, Suite 51,
04552-903 São Paulo, SÃO PAULO - SP, Brazil,
Tel. +55 11 821 2333, Fax. +55 11 829 1849

Spain: Balmes 22, 08007 BARCELONA,
Tel. +34 3 301 6312, Fax. +34 3 301 4107

Sweden: Kottbygatan 7, Akalla, S-16485 STOCKHOLM,
Tel. +46 8 632 2000, Fax. +46 8 632 2745

Switzerland: Allmendstrasse 140, CH-8027 ZÜRICH,
Tel. +41 1 488 2686, Fax. +41 1 481 7730

Taiwan: PHILIPS TAIWAN Ltd., 23-30F, 66,
Chung Hsiao West Road, Sec. 1, P.O. Box 22978,
TAIPEI 100, Tel. +886 2 382 4443, Fax. +886 2 382 4444

Thailand: PHILIPS ELECTRONICS (THAILAND) Ltd.,
209/2 Sanpavuth-Bangna Road Prakanong, BANGKOK 10260,
Tel. +66 2 745 4090, Fax. +66 2 398 0793

Turkey: Talatpasa Cad. No. 5, 80640 GÜLTEPE/ISTANBUL,
Tel. +90 212 279 2770, Fax. +90 212 282 6707

Ukraine: PHILIPS UKRAINE, 4 Patrice Lumumba str., Building B, Floor 7,
252042 KIEV, Tel. +380 44 264 2776, Fax. +380 44 268 0461

United Kingdom: Philips Semiconductors Ltd., 276 Bath Road, Hayes,
MIDDLESEX UB3 5BX, Tel. +44 181 730 5000, Fax. +44 181 754 8421

United States: 811 East Arques Avenue, SUNNYVALE, CA 94088-3409,
Tel. +1 800 234 7381

Uruguay: see South America

Vietnam: see Singapore

Yugoslavia: PHILIPS, Trg N. Pasica 5/v, 11000 BEOGRAD,
Tel. +381 11 625 344, Fax. +381 11 635 777

For all other countries apply to: Philips Semiconductors, Marketing & Sales Communications,
Building BE-p, P.O. Box 218, 5600 MD EINDHOVEN, The Netherlands, Fax. +31 40 27 24825

Internet: <http://www.semiconductors.philips.com>

© Philips Electronics N.V. 1996

SCA52

All rights are reserved. Reproduction in whole or in part is prohibited without the prior written consent of the copyright owner.

The information presented in this document does not form part of any quotation or contract, is believed to be accurate and reliable and may be changed without notice. No liability will be accepted by the publisher for any consequence of its use. Publication thereof does not convey nor imply any license under patent- or other industrial or intellectual property rights.

Printed in The Netherlands

537021/1200/04/pp24

Date of release: 1996 Nov 26

Document order number: 9397 750 01456

Let's make things better.

Philips
Semiconductors



PHILIPS